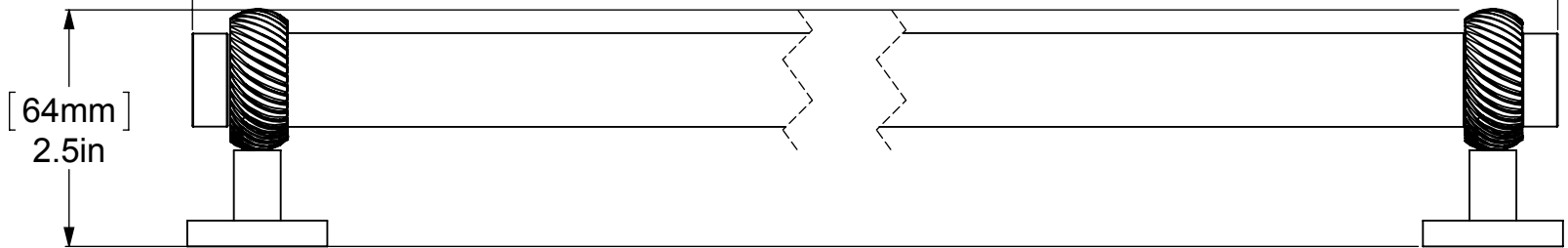
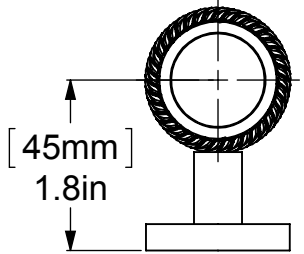
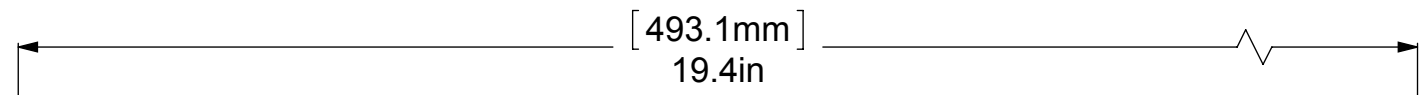
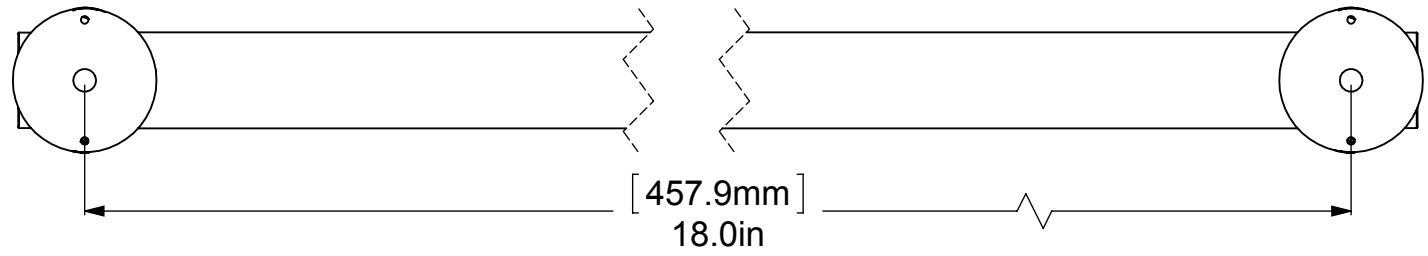
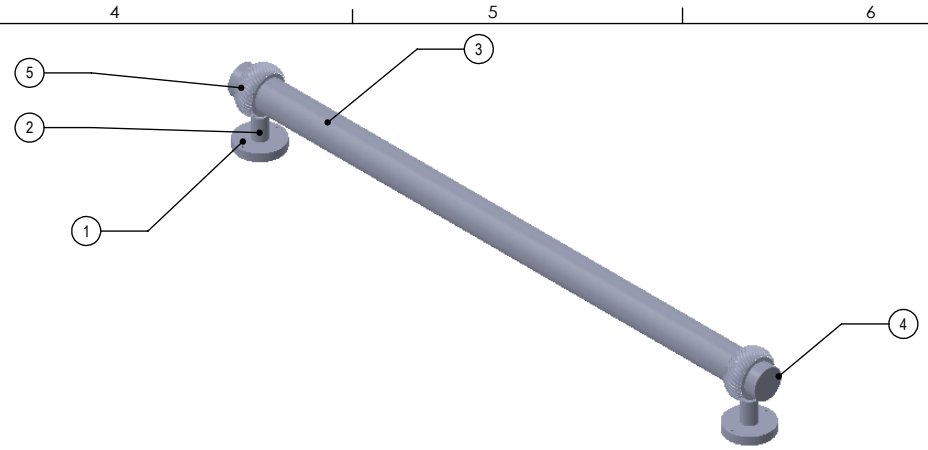


| ITEM NO. | PART NUMBER | DESCRIPTION | QTY. |
|----------|-------------|-------------|------|
| 1 | LP Casting | BASE | 2 |
| 2 | TU12-0.75 | NECK | 2 |
| 3 | TU1-17.4 | TUBE | 1 |
| 4 | Card-1 | END LOCK | 2 |
| 5 | RGTWT | CONNECTOR | 2 |

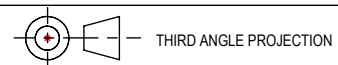


APPROVED FOR PRODUCTION
 By: RICHARD PAUL
 Date: 6-2-2021

UNLESS OTHERWISE STATED

| | |
|------|---------|
| .X | ±.3mm |
| .XX | ±.15mm |
| .XXX | ±.008mm |

COPYRIGHT © Allied Brass 2021



| | | |
|----------|---------|-----|
| DRAWN | 5-31-21 | I.M |
| CHECKED | 5-31-21 | P.D |
| APPROVED | 5-31-21 | R.A |

MATERIAL: BRASS
 DESCRIPTION: 18 Inch Refrigerator Pull

| | |
|-------------|-----|
| FINISH | TBD |
| QUANTITY | TBD |
| DRAWING No. | REV |
| 402T-RP | 0 |
| SCALE | 1:2 |
| SHEET: 01 | A4 |